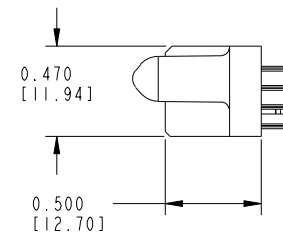
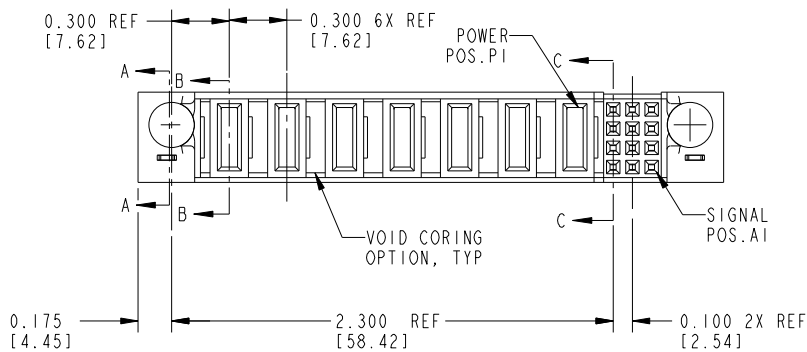
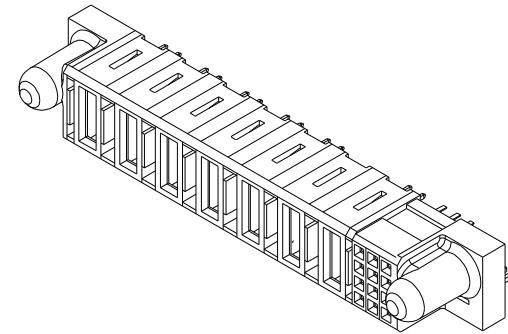
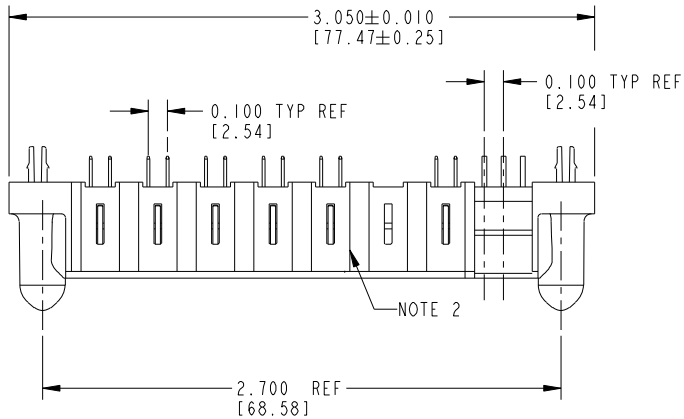


Tous droits strictement réservés. Reproduction ou communication a des tiers interdite sous quelque forme que ce soit sans autorisation écrite du propriétaire. Propriété de c FCI. Droits de reproduction FCI.

All rights strictly reserved. Reproduction or issue to third parties in any form whatever is not permitted without written authority from the proprietor. Property of FCI. Copyright FCI.



PRODUCT NUMBER  
51684-001--  
NOTE: (3)



mat'l code				NOTE 1		tolerances unless otherwise specified		CUSTOMER		FCI	
lir	ecn no.	dr	date	linear	.xx±.01/0.X±0.3	COPY		projection		www.fciconnect.com	
A	V02393	EKK	10-18-00	angles	.xxx±.005/0.xx±0.13	A		title		12S + 7ACP	
B	DG05-0171	GuoJM	06/19/05		.xxx±.0020/.xxx±.051	INCH/MM		product family		PWRBLADE	
C	DG06-0375	JULIA	09/06/06		0°±2°	scale		size		dwg no	
				dr	S. ROYER	1:1		A		51684	
				enrg	J. BROWN					code	
				chr	J. BROWN					213	
				appd	J. BROWN					sheet	
sheet index	revision sheet	C	C							1 of 3	
		1	2								
			3								

Pro/E

PDM: Rev: C

STATUS: Released

Printed: Aug 11, 2007

cage code 22556

Tous droits strictement réservés. Reproduction ou communication a des tiers interdite sous quelque forme que ce soit sans autorisation écrite du propriétaire. Propriété de c FCI. Droits de reproduction FCI.

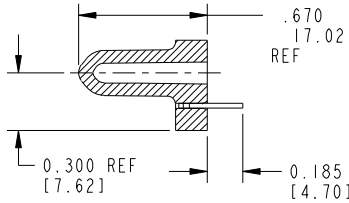
All rights strictly reserved. Reproduction or issue to third parties in any form whatever is not permitted without written authority from the proprietor. Property of FCI. Copyright FCI.



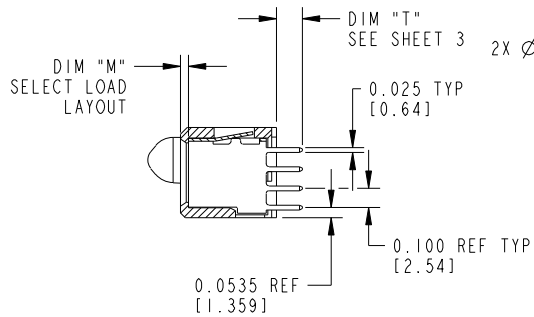
PRODUCT NUMBER

51684-001

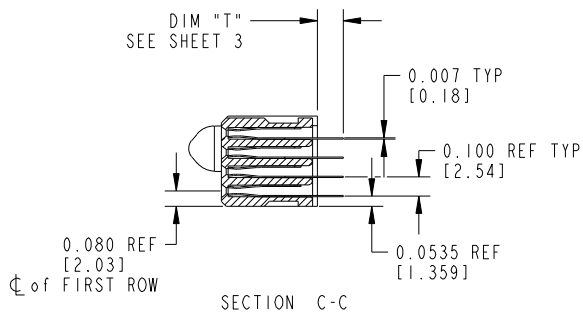
NOTE: (3)



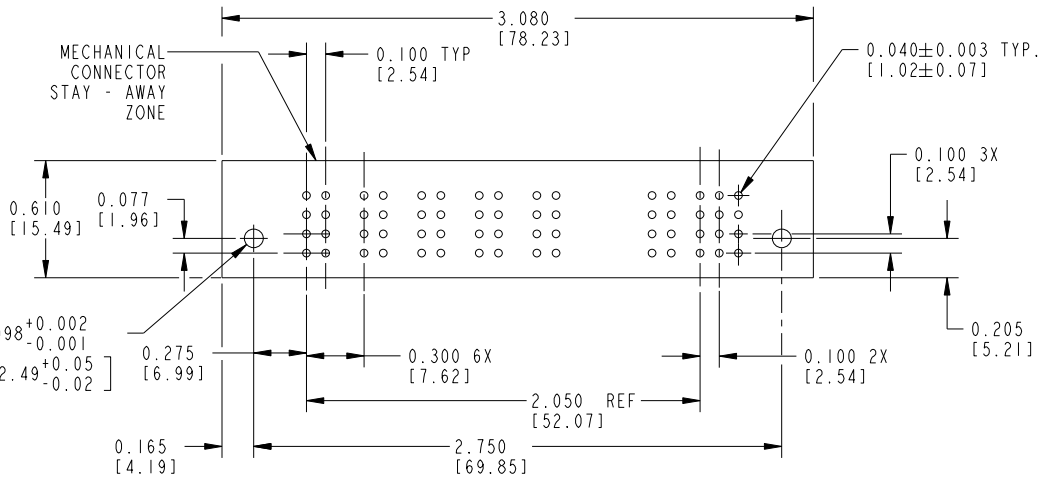
SECTION A-A



SECTION B-B



SECTION C-C



RECOMMENDED PCB LAYOUT

mat'l code		tolerances unless otherwise specified		CUSTOMER		 www.fciconnect.com	
lbr	ecn no.	dr	date	linear	.XX±.01/0.XX±0.3	COPY	
C				projection	.XXX±.005/0.XX±0.13	title	
				angles	.XXX±.0020/.XXX±.051	12S + 7ACP	
				dr	0°±2°	VERTICAL SOLDER RECEPTACLE	
				enrg	S. ROYER 12/13/99	product family	
				chr	J. BROWN 12/13/99	PWRBLADE	
				appd	J. BROWN 01/18/00	code	
sheet index		revision sheet		 INCH/MM		size	
				scale		dwg no	
				1:1		51684	
						sheet	
						2	

Pro/E

PDM: Rev: C

STATUS: Released

Printed: Aug 11, 2007

cage code 22556

Tous droits strictement réservés. Reproduction ou communication a des tiers interdite sous quelque forme que ce soit sans autorisation écrite du propriétaire. Propriété de c FCI. Droits de reproduction FCI.



All rights strictly reserved. Reproduction or issue to third parties in any form whatever is not permitted without written authority from the proprietor. Property of FCI. Copyright FCI.

1 | 2

3

4

PRODUCT No.	ROWS	POWER										ITEM NO.	QTY	DIM "M" MATING LENGTH ±.010 [0.25]		DIM "T" TAIL LENGTH ±.010 [0.25]		CONTACT TYPE		
		E2	P7	P6	P5	P4	P3	P2	P1	3	2			1	E1					
51684-001 - NOTE: ③	D C B A												HA	2	N/A	[N/A]	N/A	[N/A]	HOLD-DOWN	
														PA	6	0.042	[1.07]	0.135	[3.43]	POWER
														E	12	N/A	[N/A]	0.135	[3.43]	SIGNAL

CONNECTORS - NOTES:

- HOUSING MATERIAL: GLASS FILLED HIGH TEMP. THERMOPLASTIC, FLAME RETARDANT PER UL94 V-0.  
SIGNAL PIN MATERIAL: COPPER ALLOY  
POWER CONTACT MATERIAL: COPPER ALLOY
  - "MANUFACTURER'S NAME", P/N, AND DATE CODE TO APPEAR ON THIS SURFACE
  - 51684-001;51684-001LF;51684-001GLF PLATING SPEC. SEE PRINT:10064183
- PCB - NOTES:
- ALL DIMENSIONS ARE BASIC UNLESS OTHERWISE SPECIFIED.
  - ALL THROUGH HOLES ARE LOCATED WITH A TRUE POSITION OF .004
  - ALL HOLE DIAMETERS ARE FINISHED HOLE SIZE
  - Ø0.098 THROUGH HOLES ARE UNPLATED
  - Ø.0453/1.151 DRILLED HOLES PLATED WITH .0003/.007 MIN SnPb or Sn OVER .001/1.03 to .003/.08 Cu PLATING TO ACHIEVE A .040±.003/1.02±.08 HOLE

mat'l code		-		tolerances unless otherwise specified		CUSTOMER				www.fciconnect.com	
lfr	ecn no.	dr	date	linear	.xx±.01/0.X±0.3	COPY		projection		title	
C					.xxx±.005/0.xx±0.13	0				12S + 7ACP VERTICAL SOLDER RECEPTACLE	
				angles	.xxx±.0020/.xxx±.051	INCH/MM		product family		code	
				dr	0°±2°	1:1		PWRBLADE		213	
				enrg	S. ROYER 12/13/99	A		size		sheet	
				chr	J. BROWN 12/13/99	A		51684		3	
				appd	J. BROWN 01/18/00	A		A		3	
sheet index	revision sheet										

1 | 2

Pro/E

PDM: Rev: C

STATUS: Released

Printed: Aug 11, 2007

A

A

B

B

cage code 22536

4